

## 3014 Series

**THOMAS**  
by Gardner Denver

### FEATURES

- > Oil-less
- > Low vibration
- > Low sound level
- > Compact design
- > Light weight

### TYPICAL APPLICATIONS

- > Patient monitoring
- > Anaesthetic control
- > Gas detection
- > Flue gas measurement
- > Pipetting

### BASE MODEL

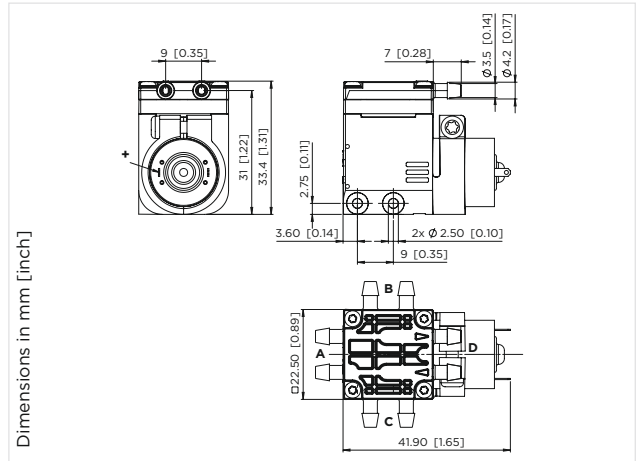
3014VD LC  
3014VD DC



Diaphragm

# 3014VD LC

Flow	1.0 l/min
Max. pressure	840 mbar
Max. vacuum	65 %



## PNEUMATIC DATA

Description	3014VD/0.6/E/LC	3014VD/0.6/E/LC	3014VD/0.6/E/LC
Part number	3.0 V 4.5 V 12.0 V	<b>30140001</b>	<b>30140002</b>
Max. flow	0.65 l/min	0.75 l/min	<b>1.0 l/min</b>
Max. intermittent pressure	770 mbar	790 mbar	840 mbar
Max. continuous pressure	200 mbar	200 mbar	200 mbar
Max. restart pressure	200 mbar	200 mbar	200 mbar
Max. intermittent vacuum	60%	60%	65%
Max. continuous vacuum	20%	20%	20%
Max. restart vacuum	20%	20%	20%

## ELECTRICAL DATA

Motor type	Permanent magnet	Permanent magnet	Permanent magnet
Max. power consumption	570 mW	690 mW	1030 mW
Protection class	IPO0	IPO0	IPO0

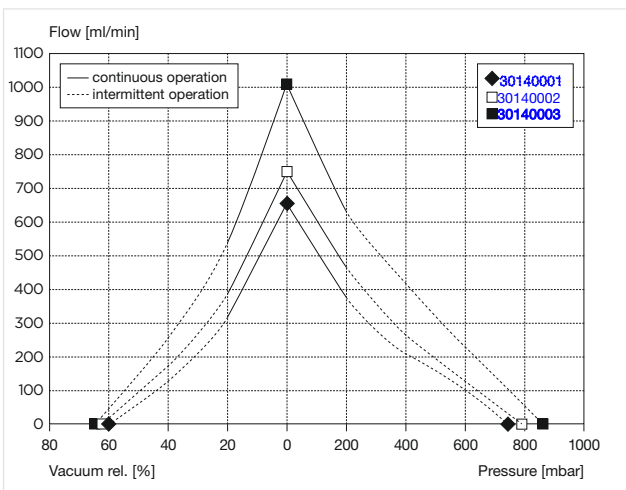
## GENERAL DATA

Ambient temperature	10 to 40 °C	10 to 40 °C	10 to 40 °C
Media temperature	10 to 40 °C	10 to 40 °C	10 to 40 °C
Weight	36 g	36 g	36 g
Mounting side	self tapping screw Ø 3 mm (2x)	self tapping screw Ø 3 mm (2x)	self tapping screw Ø 3 mm (2x)
Port direction	D	D	D

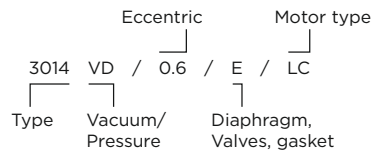
## WETTED PARTS

Pump head	PAA	PAA	PAA
Diaphragm	EPDM	EPDM	EPDM
Valve/gasket	EPDM	EPDM	EPDM

## FLOW CURVES

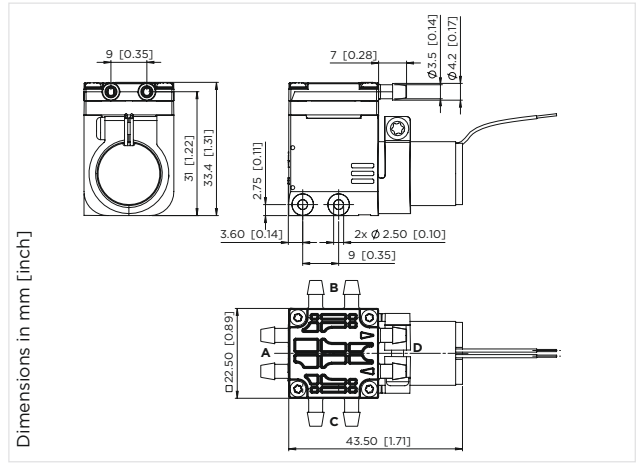


Model key:



# 3014VD DC

Flow	1.0 l/min
Max. pressure	840 mbar
Max. vacuum	65 %



## PNEUMATIC DATA

Description	3014VD/0.6/E/DC	3014VD/0.6/E/DC	3014VD/0.6/E/DC
Part number	4.5 V 6.0 V 12.0 V	<b>30140004</b>	<b>30140005</b>
Max. flow	0.8 l/min	0.8 l/min	1.0 l/min
Max. intermittent pressure	740 mbar	800 mbar	840 mbar
Max. continuous pressure	200 mbar	200 mbar	200 mbar
Max. restart pressure	200 mbar	200 mbar	200 mbar
Max. intermittent vacuum	60 %	60 %	65 %
Max. continuous vacuum	20 %	20 %	20 %
Max. restart vacuum	20 %	20 %	20 %

## ELECTRICAL DATA

Motor type	Ironless core DC	Ironless core DC	Ironless core DC
Max. power consumption	840 mW	505 mW	950 mW
Protection class	IPO0	IPO0	IPO0

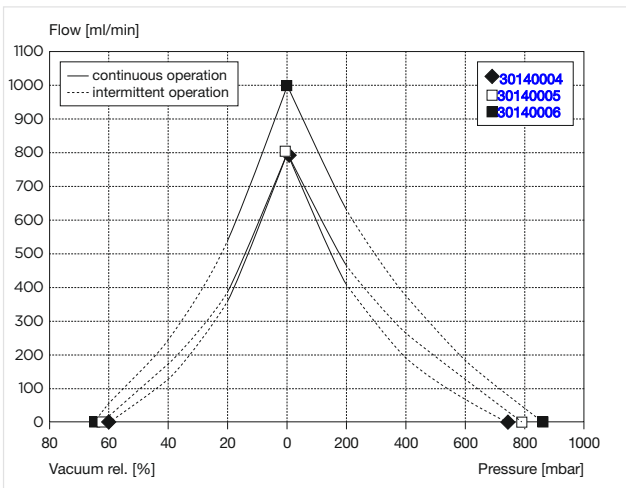
## GENERAL DATA

Ambient temperature	10 to 40 °C	10 to 40 °C	10 to 40 °C
Media temperature	10 to 40 °C	10 to 40 °C	10 to 40 °C
Weight	43 g	45 g	43 g
Mounting side	self tapping screw Ø 3 mm (2x)	self tapping screw Ø 3 mm (2x)	self tapping screw Ø 3 mm (2x)
Port direction	D	D	D

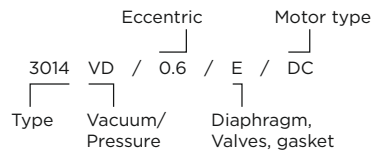
## WETTED PARTS

Pump head	PAA	PAA	PAA
Diaphragm	EPDM	EPDM	EPDM
Valve/gasket	EPDM	EPDM	EPDM

## FLOW CURVES



Model key:



PUMP AND COMPRESSOR SOLUTIONS FOR OEMS WORLDWIDE



The information presented in this material is based on technical data and test results of nominal units. It is believed to be accurate and reliable and is offered as an aid to help in the selection of Thomas products. It is the responsibility of the user to determine the suitability of the product for the intended use and the user assumes all risk and liability in connection therewith. Thomas does not warrant, guarantee or assume any obligation or liability in connection with this information.

Models presented in this catalog are representative of the product family. Photos of products pictured in this catalog do not necessarily represent a specific model number. To obtain further information for custom options, contact your local Thomas office.

Printed in Germany Form No. 17003014 08/2016 © Gardner Denver Thomas GmbH. All rights reserved.

